

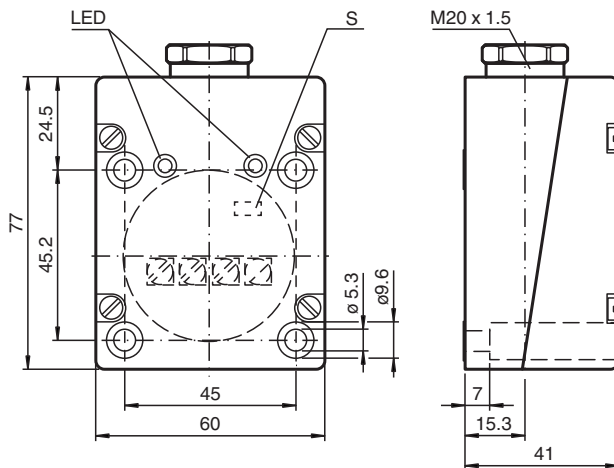


Inductive sensor NBN30-FPS-UU

- 30 mm non-flush
- Switching function NO/NC can be set by coding plug S



Dimensions



Technical Data

General specifications		
Switching function		Normally open/closed (NO/NC)
Output type		Two-wire
Rated operating distance	s_n	30 mm
Installation		non-flush
Output polarity		AC/DC
Assured operating distance	s_a	0 ... 24.3 mm
Actuating element		mild steel, e. g. 1.0037, SR235JR (formerly St37-2) 90 mm x 90 mm x 1 mm
Reduction factor r_{Al}		0.2
Reduction factor r_{Cu}		0.1
Reduction factor r_{304}		0.5
Reduction factor r_{Brass}		0.2
Output type		2-wire
Nominal ratings		
Operating voltage	U_B	20 ... 265 V AC/DC
Switching frequency	f	0 ... 25 Hz
Hysteresis	H	0.05 ... 7.26 mm

Release date: 2022-05-23 Date of issue: 2022-05-23 Filename: 236514_eng.pdf

Refer to "General Notes Relating to Pepperl+Fuchs Product Information".

Pepperl+Fuchs Group
www.pepperl-fuchs.com

USA: +1 330 486 0001
fa-info@us.pepperl-fuchs.com

Germany: +49 621 776 1111
fa-info@de.pepperl-fuchs.com

Singapore: +65 6779 9091
fa-info@sg.pepperl-fuchs.com

pf PEPPERL+FUCHS

Technical Data

Reverse polarity protection		yes
Short-circuit protection		no
Overload resistance		no
Wire breakage protection		yes
Inductive overvoltage protection		yes
Surge suppression		yes
Voltage drop	U_d	$\leq 8 \text{ V}$
Repeat accuracy	R	0.75 mm
Operating current	I_L	5 ... 300 mA
No-load supply current	I_0	$\leq 2 \text{ mA}$
Time delay before availability	t_v	$\leq 100 \text{ ms}$
Switching state indicator		LED, yellow
Functional safety related parameters		
MTTF _d		1730 a
Mission Time (T _M)		20 a
Diagnostic Coverage (DC)		0 %
Compliance with standards and directives		
Standard conformity		
Standards		EN 60947-5-2:2007 EN 60947-5-2/A1:2012 IEC 60947-5-2:2007 IEC 60947-5-2 AMD 1:2012
Ambient conditions		
Ambient temperature		-25 ... 85 °C (-13 ... 185 °F)
Storage temperature		-40 ... 85 °C (-40 ... 185 °F)
Mechanical specifications		
Connection type		screw terminals
Core cross section		up to 2.5 mm ²
Housing material		PBT
Sensing face		PBT
Housing base		PBT
Degree of protection		IP65
Mass		270 g
General information		
Supplementary information		The default setting of switching function is NO

Connection

